

RDW1 Series

Air circuit breaker



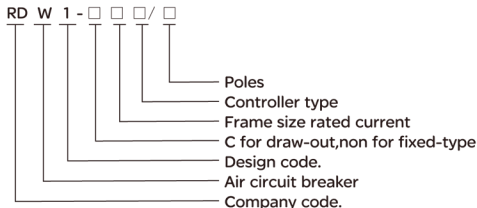
Description

RDW1 air circuit breaker which applied to power distribution network of AC 50/60Hz, rated operational voltage up to 690V, rated current up to 6300A. It's mainly used to distribute power and protect the circuit and equipments against damages of overload, short-circuit, under voltage and ground fault, and it has intelligent protection functions, provides accurated selective protection, improves power-supply reliability to avoid unnecessary power interruption. And it also has open type communication port, can realize remote control function and satisfy the requirements of control center and automatic system. This production without intelligent controller and sensor has insulation function. This product conforms to the standard of IEC60947-2

RDW1 Series

Air circuit breaker

Model No.



Normal operation condition and installation condition

3.1 Temperature: no more than +40°C, no less than -5°C, and average day temperature no more than +35°C.

If customer requires condition of higher than +40°C, or lower than -25°C, it should be consulted with manufacture.

3.2 Installation location attitude no more than 2000m

3.3 Humidity: when the temperature at +40°C, it no more 50%

The higher humidity is accepted at the lower temperature. The average humidity of month should no more than 90%, and the average temperature of month should not lower than +25°C.

The condensation should be taken care when the humidity change.

3.4 Protection class: IP20

3.5 Using type: B type

3.6 Pollution type: 3 level

3.7 Installation type:

Type of circuit breaker main circuit, under voltage release, primary coil of power transformer is installation IV; type of Auxiliary circuit and control circuit installation is III.

RDW1 Series

Air circuit breaker

Main technique parameter

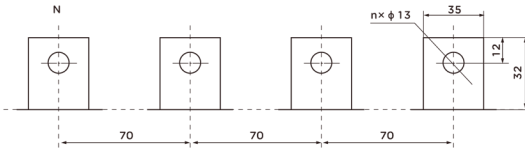
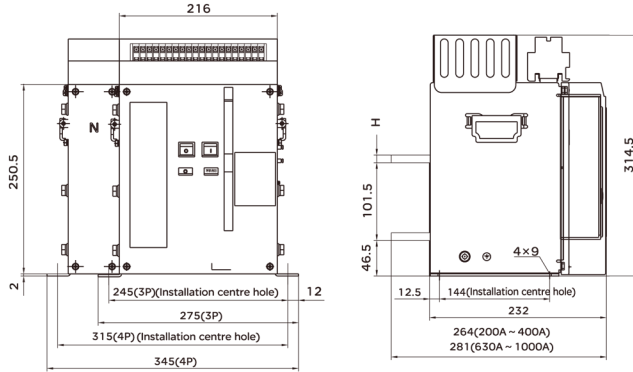
Model No.		RDW1-1000	RDW1-2000	RDW1-3200	RDW1-4000	RDW1-6300
Rated current (A)		200,400,630,800,1000	400,630,800,1000,1250,1600,2000	2000,2500,2900,3200	3200,3600,4000	4000,5000,6300
Neutral rated current In(A)		100%In	100%In	100%In	-	50%In
Rated operating voltage (V)		AC 400	AC 400/690		AC 400	
Frequency (Hz)		50/60Hz				
Number of poles		3P/4P				
Rated impulse withstand voltage Uimp (Kv)		AC 12				
Rated isolation voltage Ui (V)		AC 1000				
Power frequency withstand voltage(V) 1min		2200				
Rated ultimate short circuit breaking capacity(Icu)	AC400V	42	80	100	80	120
	AC690V	-	50	65	-	-
Rated operating short circuit breaking capacity(Ics)	AC400V	32	65	80	65	100
	AC690V	-	50	65	-	-
Rated withstand current for short-time(Icw)	AC400V	20/30(0.5s)	65	80	65	85
	AC690V	-	40	50	-	-
Operation life(times) 2500A below 1time/3min; Above 2500A 1time/6min	Electrical life	7000	6500	3000	3000	1500
	Mechanical life	15000	15000	10000	10000	5000

RDW1 Series

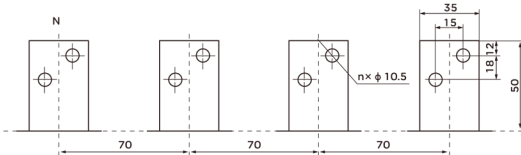
Air circuit breaker

External and installation dimension

Fixed type circuit installation dimension and overall dimension



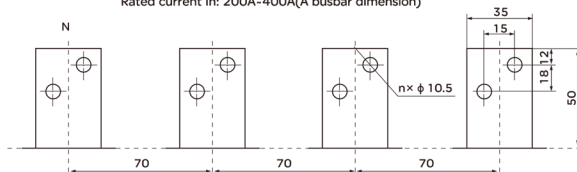
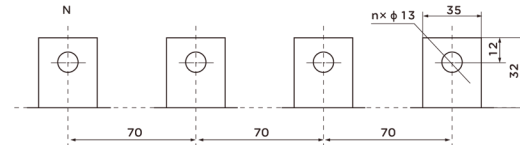
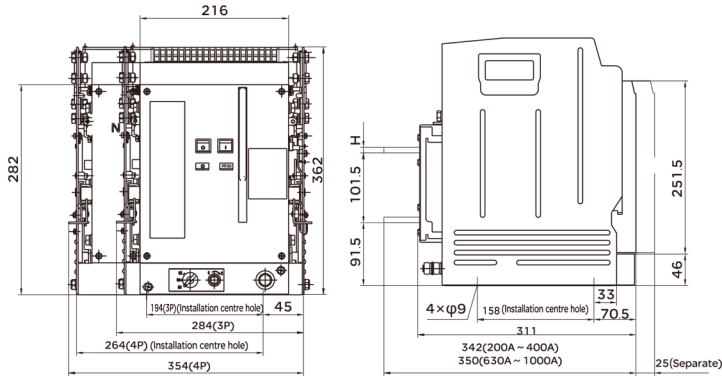
Rated current In: 200A-400A(A busbar dimension)



Rated current In: 630A-1000A(A busbar dimension)

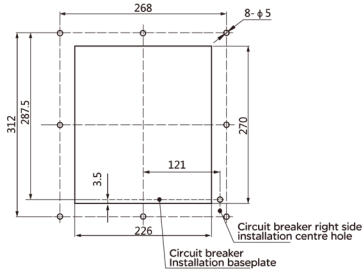
RDW1 Series Air circuit breaker

Drawout type circuit breaker Installation and Overall dimension

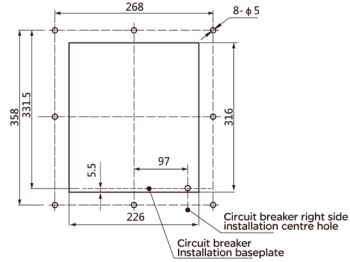


RDW1 Series Air circuit breaker

Drawout type and Fixed type circuit breaker Installation and Overall dimension



Fixed type 3P/4P cabinet door opening dimension



Drawout type 3P/4P cabinet door opening dimension